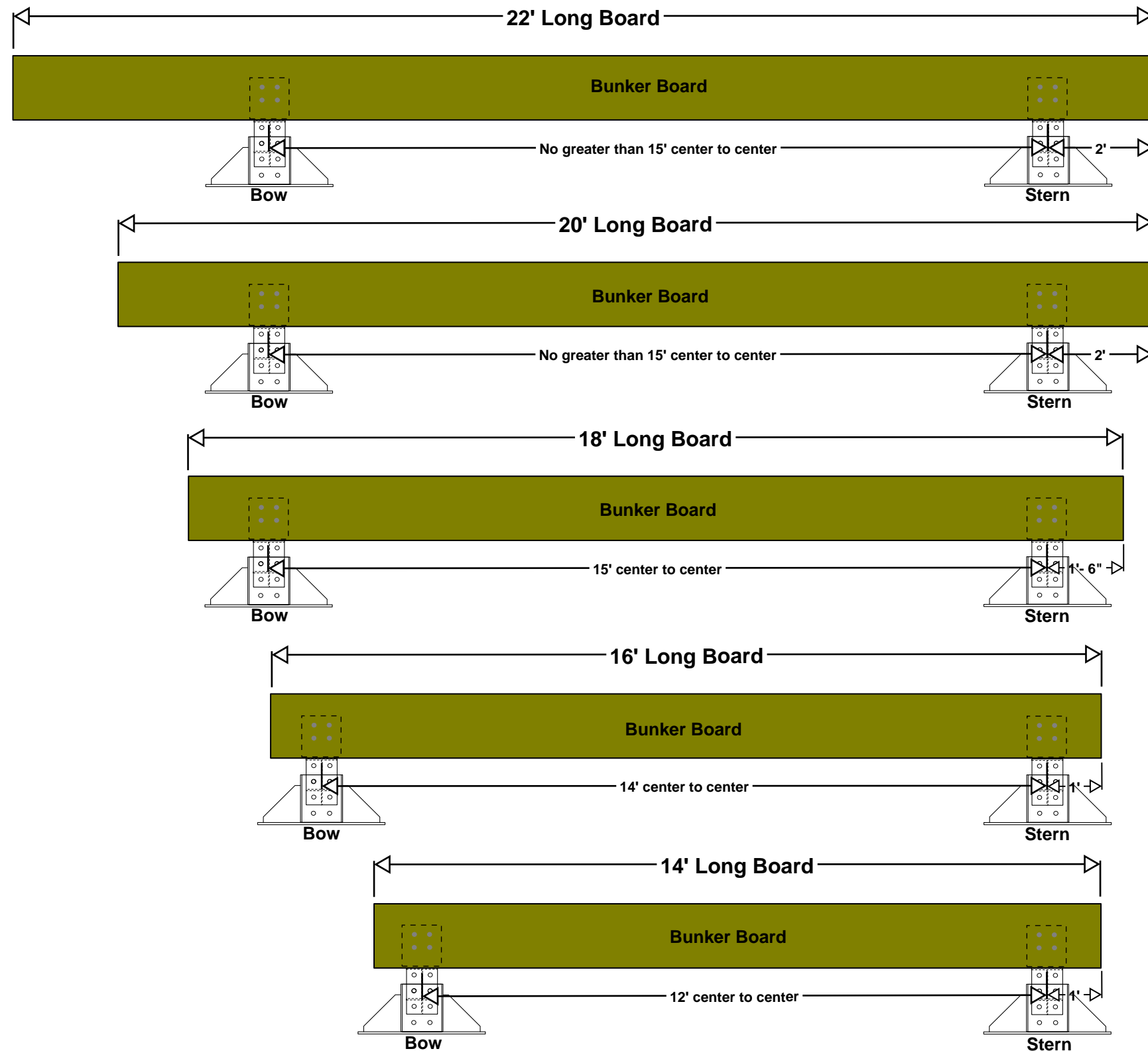


45K Ground Stand Placement

4"x12" #1 Rough Cut Pressure Treated Wood Bunker Boards

Disclaimer: Mack David Buildings is not responsible for any damage or failure that may occur due to not using the recommended boards and spacing or any other deviation from proper usage or installation.



David W. Coyle
704-361-7083 fax 941-227-4755
Doyle@MackDavidBuildings.com
6710 Professional Pkwy #627, Sarasota FL 34240
Your Pre-engineered Metal Building Specialist

MACK DAVID BUILDINGS
Builder:

Customer:
CONTACT: COUNTY:
Drawing Status: Preliminary For Construction Permit For Erector Installation

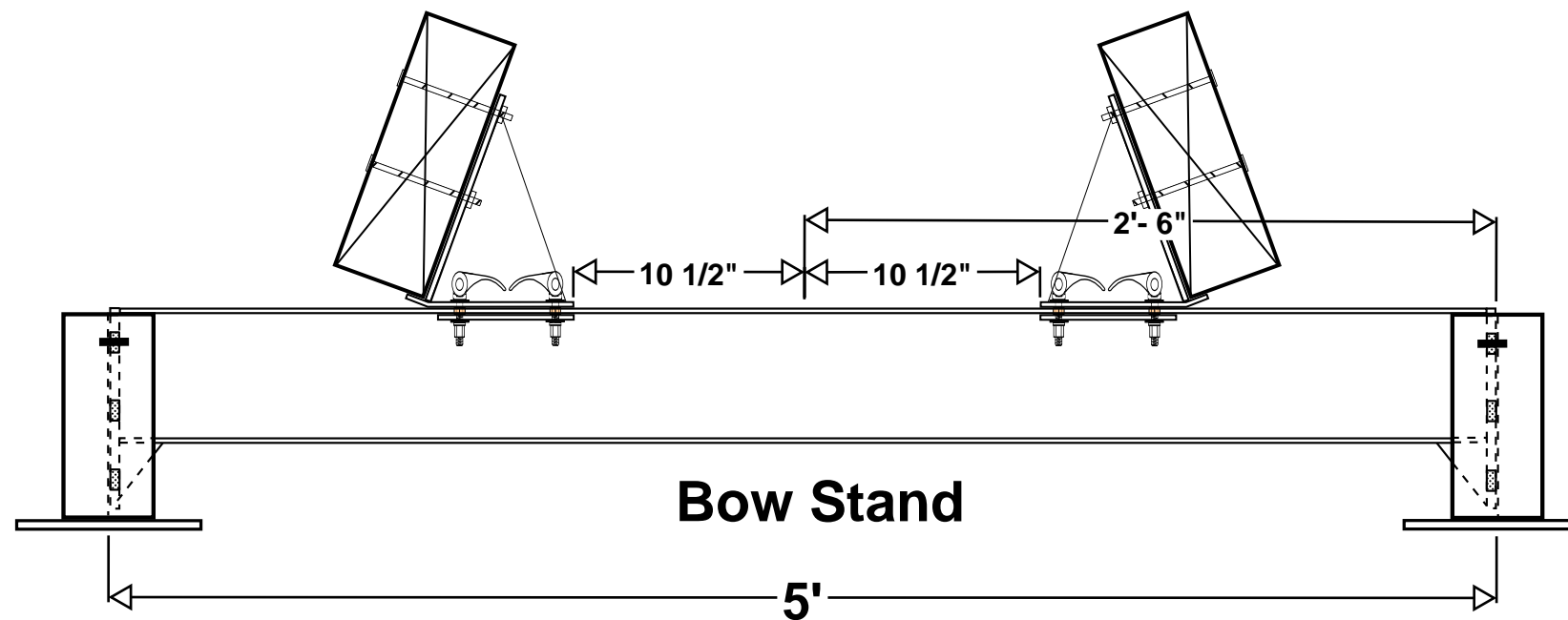
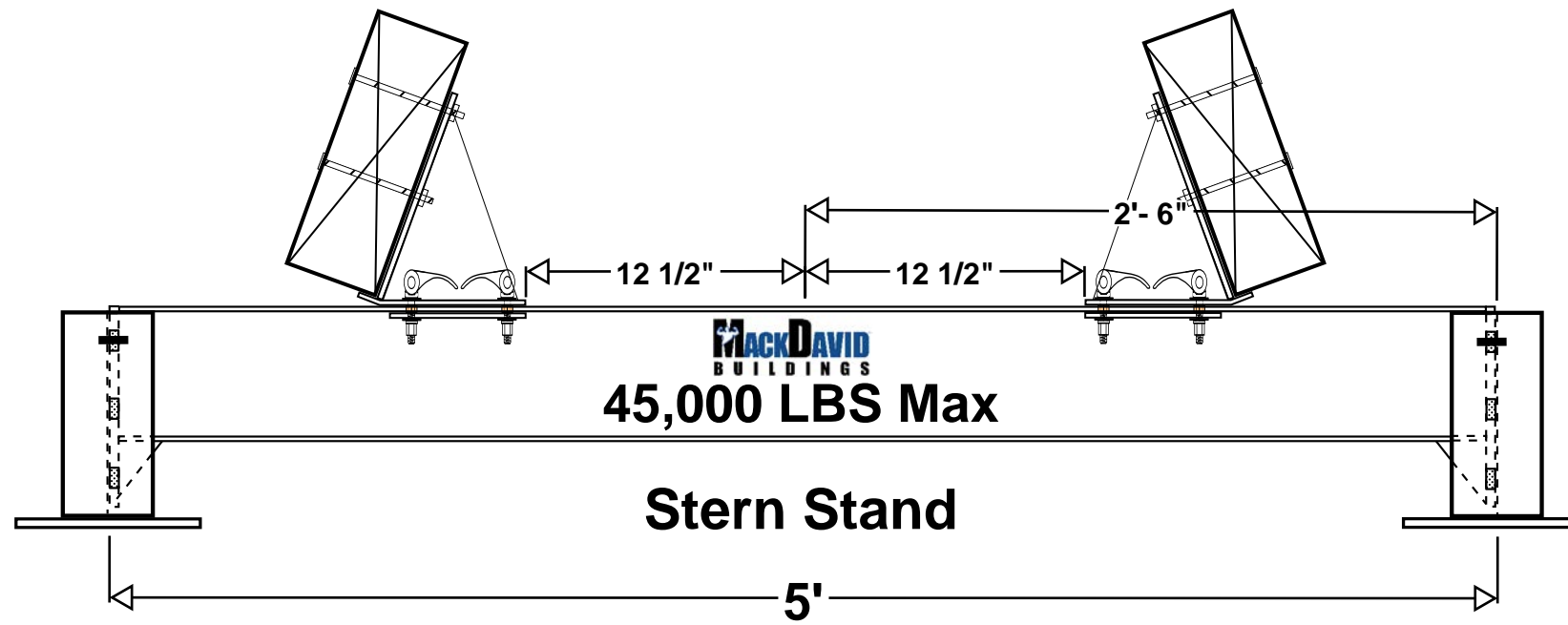
Scale: NOT TO SCALE

ESTIMATOR DATE
9-20-20

JOB NAME
MDB Grand Stand

PROCUREMENT FROM
MBMA
METAL BUILDING MANUFACTURERS ASSOCIATION
QUALIFIED MANUFACTURERS

MDB Suggested Standard Settings



Note: Recommended Boards are 4" x 12" Rough Cut #1 Pressure Treated for the 45K Load Capacity

Disclaimer: Mack David Buildings is not responsible for any damage or failure that may occur due to not using the recommended boards and spacing or any other deviation from proper usage or installation.

David W. Coyle
704-361-7083 fax 941-227-4755
Doyle@MackDavidBuildings.com
6710 Professional Pkwy #627, Sarasota FL 34240
Your Pre-engineered Metal Building Specialist

MackDavid BUILDINGS

Builder: _____ CONTACT: _____ COUNTY: _____
Customer: _____
Drawing Status: Preliminary For Construction Permit For Erector Installation

Scale: NOT TO SCALE

PAPER SIZE

ESTIMATOR DATE
9-20-20

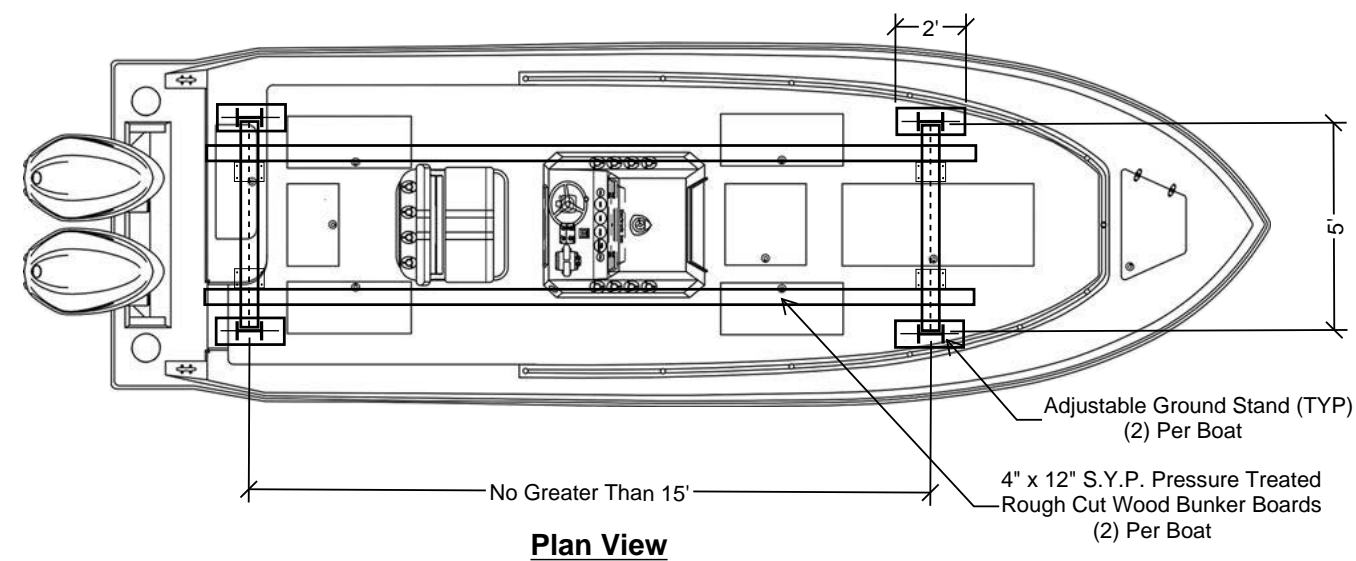
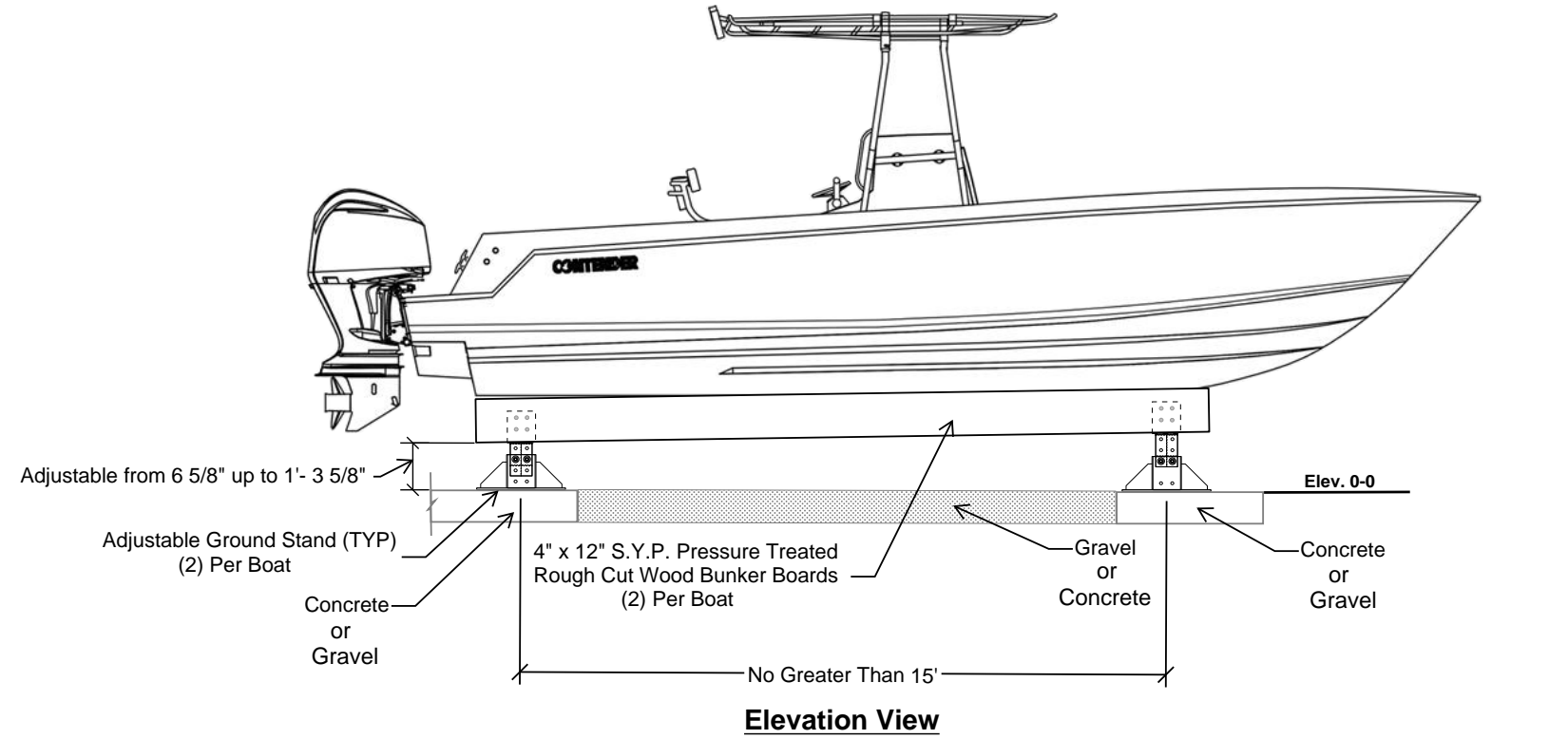
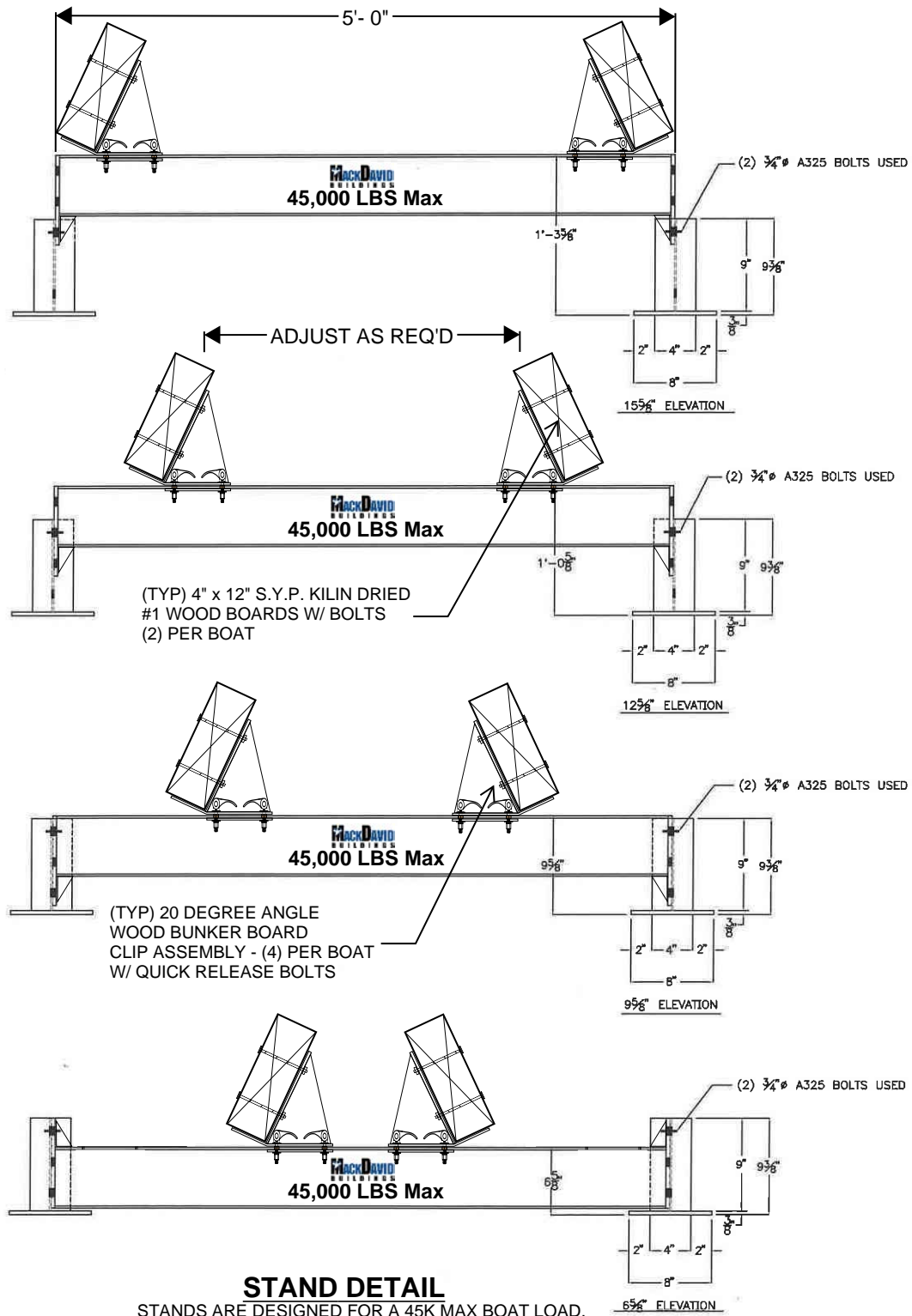
JOB NAME
MDB Grand Stand

PROCUREMENT FROM
MBMA
METAL BUILDING MANUFACTURERS ASSOCIATION
QUALIFIED MANUFACTURERS

Adjusting Your Ground Stands for a Boat or Jet Ski

Mack David Buildings Patent Pending Adjustable Ground Stands and Quick Release Bolts

Disclaimer: Mack David Buildings is not responsible for any damage or failure that may occur due to not using the recommended boards and spacing or any other deviation from proper usage or installation.



Note: Recommended Boards are 4" x 12" Rough Cut #1 Pressure Treated for the 45K Load Capacity
Note: Ground Stands are Hot Dipped Galvanized Steel

David W. Coyle
704-361-7083 fax 941-227-4755
Doyle@MackDavidBuildings.com
6710 Professional Pkwy #327, Sarasota FL 34240
Your Pre-engineered Metal Building Specialist

MACK DAVID BUILDINGS

Builder: _____

CONTACT: _____

COUNTY: _____

Customer: _____

Drawing Status: Preliminary For Construction Permit For Erector Installation

Scale: NOT TO SCALE

PAPER SIZE: _____

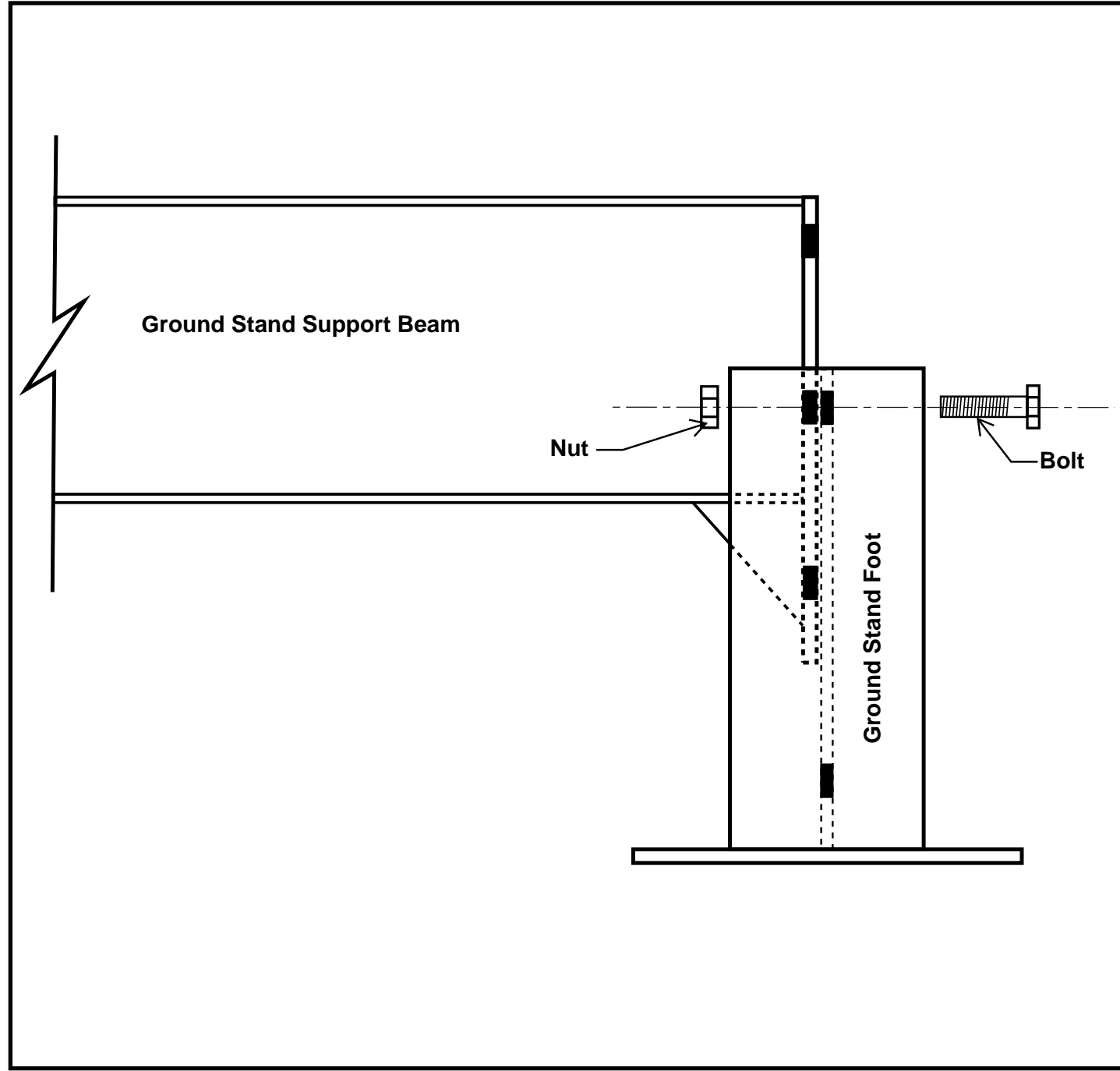
ESTIMATOR: _____ DATE: 9-20-20

JOB NAME: **MDB Grand Stand**

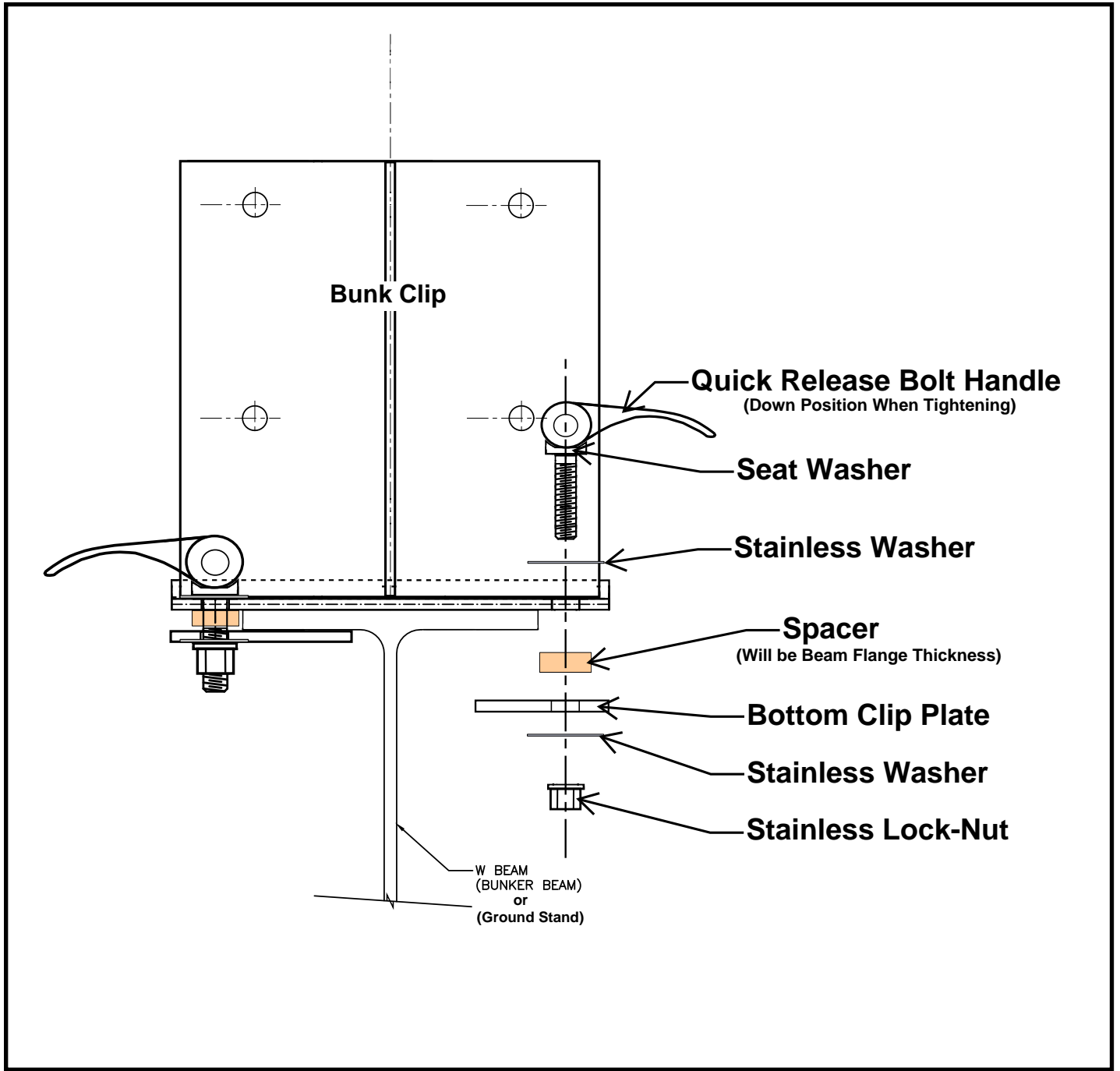
PROCUREMENT FROM **MBMA** QUALIFIED MANUFACTURERS

Ground Stand Assembly Instructions

Ground Stand Bolted Connection



Bunk Clip Bolted Connection



David W. Coyle
704-361-7083 fax 941-227-4755
Doyle@MackDavidBuildings.com
6710 Professional Pkwy #627, Sarasota FL 34240
Your Pre-engineered Metal Building Specialist

MackDavid BUILDINGS

Builder: CONTACT: COUNTY: Customer: For Construction Permit For Erector Installation

Drawing Status: Preliminary For Approval

Scale: NOT TO SCALE PAPER SIZE

ESTIMATOR DATE 9-20-20

JOB NAME
MDB Grand Stand

PROCUREMENT FROM
MBMA
METAL BUILDING MANUFACTURERS ASSOCIATION
QUALIFIED MANUFACTURERS