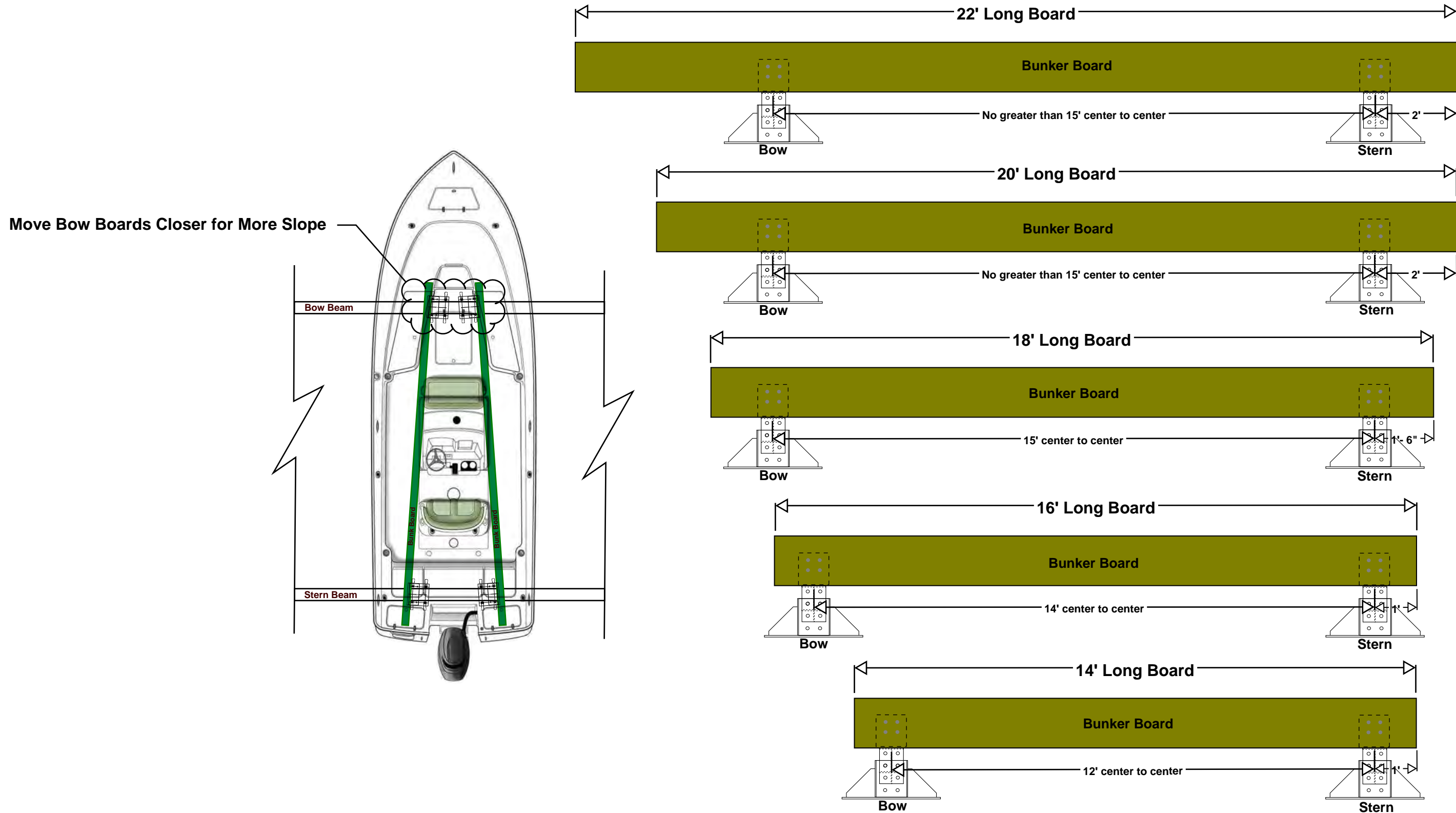


# 45K Ground Stand Placement

## 4"x12" #1 Rough Cut Pressure Treated Wood Bunker Boards

**Disclaimer:** Mack David Buildings is not responsible for any damage or failure that may occur due to not using the recommended boards and spacing or any other deviation from proper usage or installation.



David W. Coyle  
704-361-7083 fax 941-227-4755  
Doyle@MackDavidBuildings.com  
6710 Professional Pkwy #327, Sarasota FL 34240  
*Your Pre-engineered Metal Building Specialist*

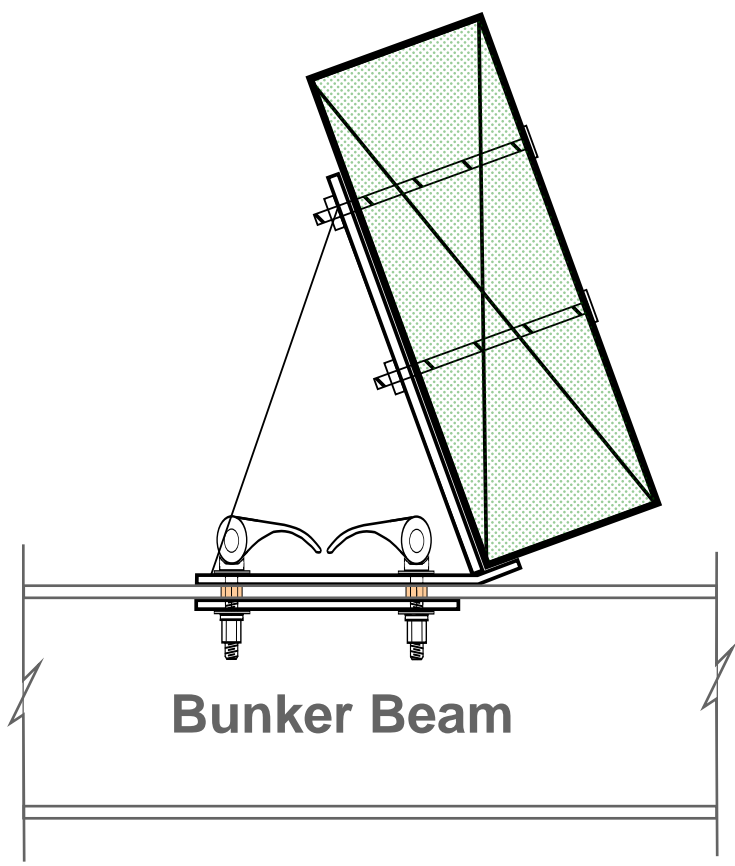
**MackDavid BUILDINGS**

Builder: CONTACT: COUNTY: PRELIMINARY: For Construction Permit For Erector Installation  
Drawing Status:  Preliminary  For Approval

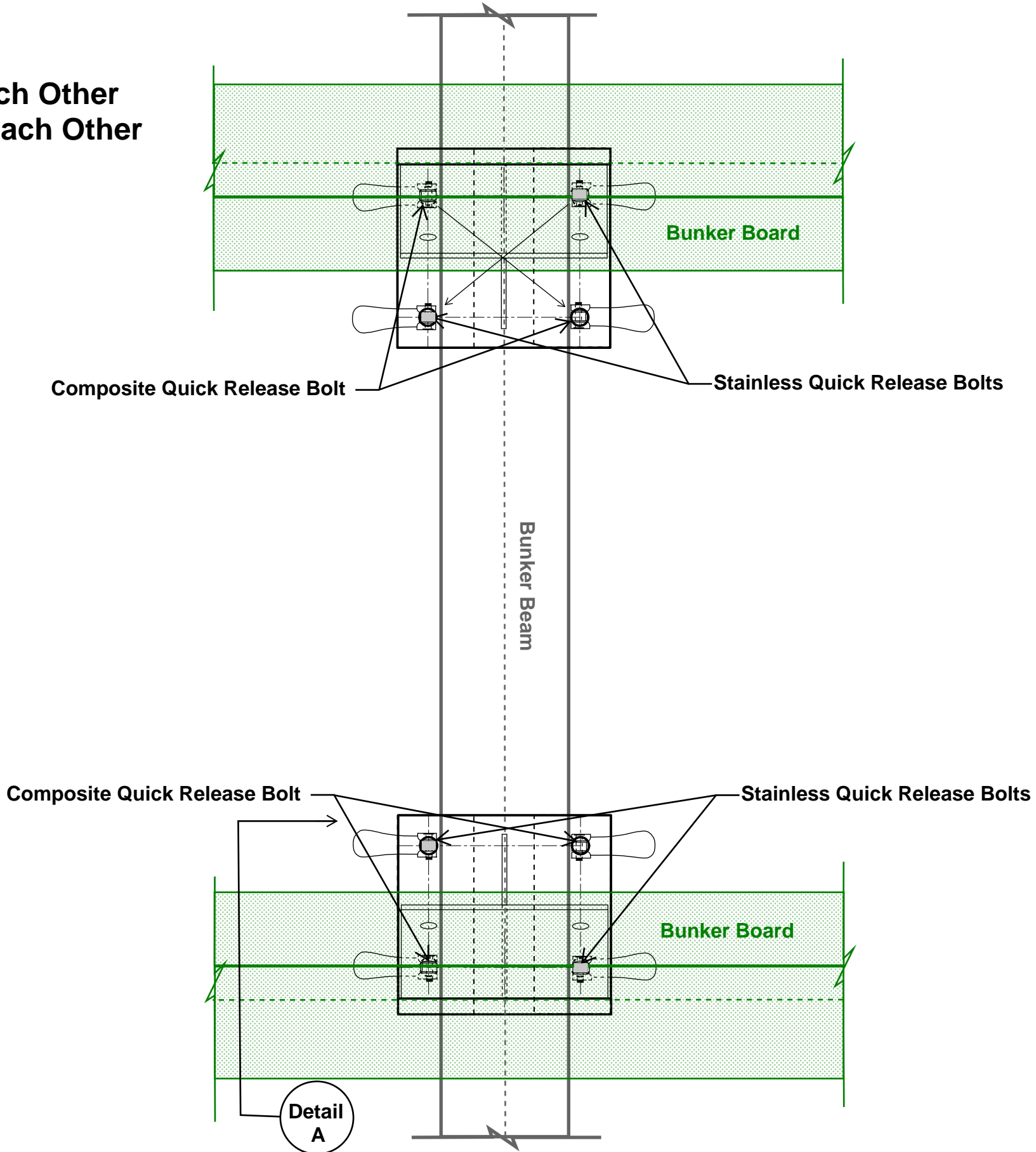
Scale: NOT TO SCALE  
ESTIMATOR DATE 8-25-21

JOB NAME: **MDB Grand Stand**  
PROCUREMENT FROM **MBMA** QUALIFIED MANUFACTURERS

**Note: Quick Release Bolt Placement**  
**Stainless QRB Diagonally Across From Each Other**  
**Composite QRB Diagonally Across From Each Other**



**Detail A**



David W. Coyle  
 704-361-7083 fax 941-227-4755  
 Doyle@MackDavidBuildings.com  
 6710 Professional Pkwy #637, Sarasota FL 34240  
 Your Pre-engineered Metal Building Specialist

**MackDavid BUILDINGS**

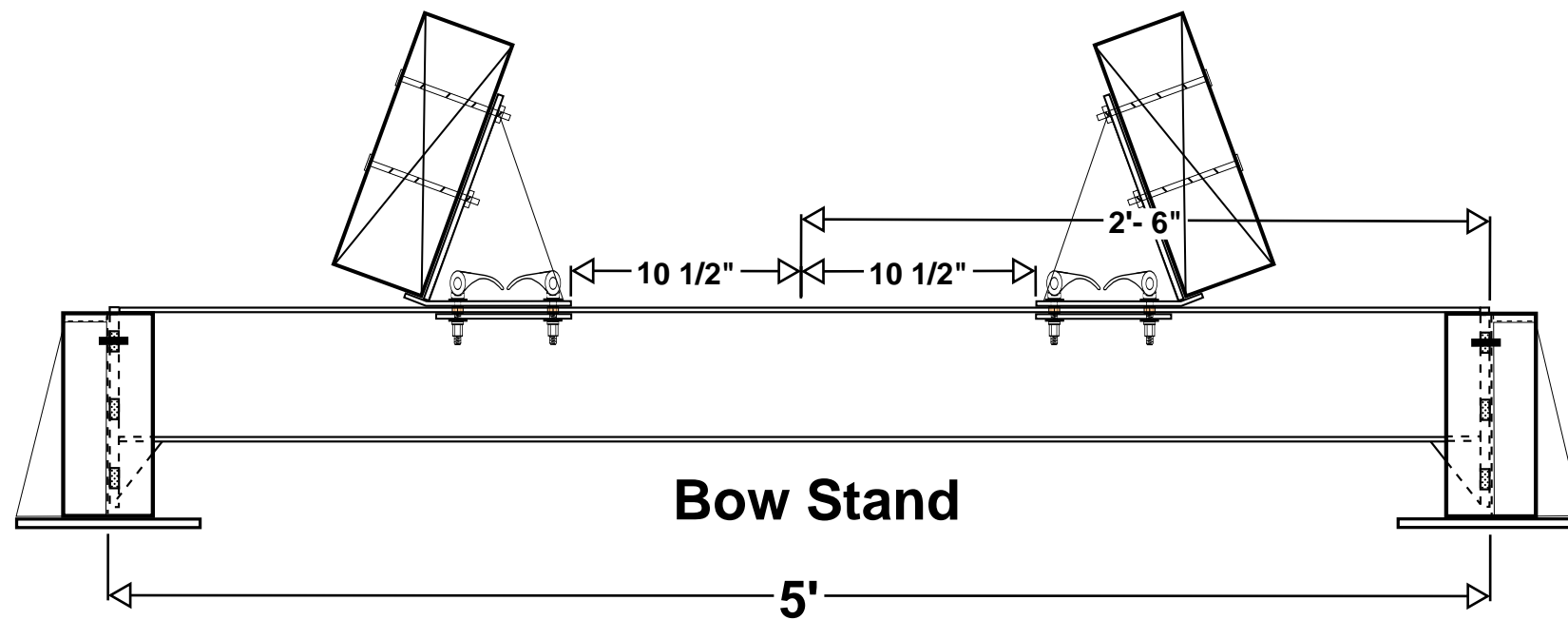
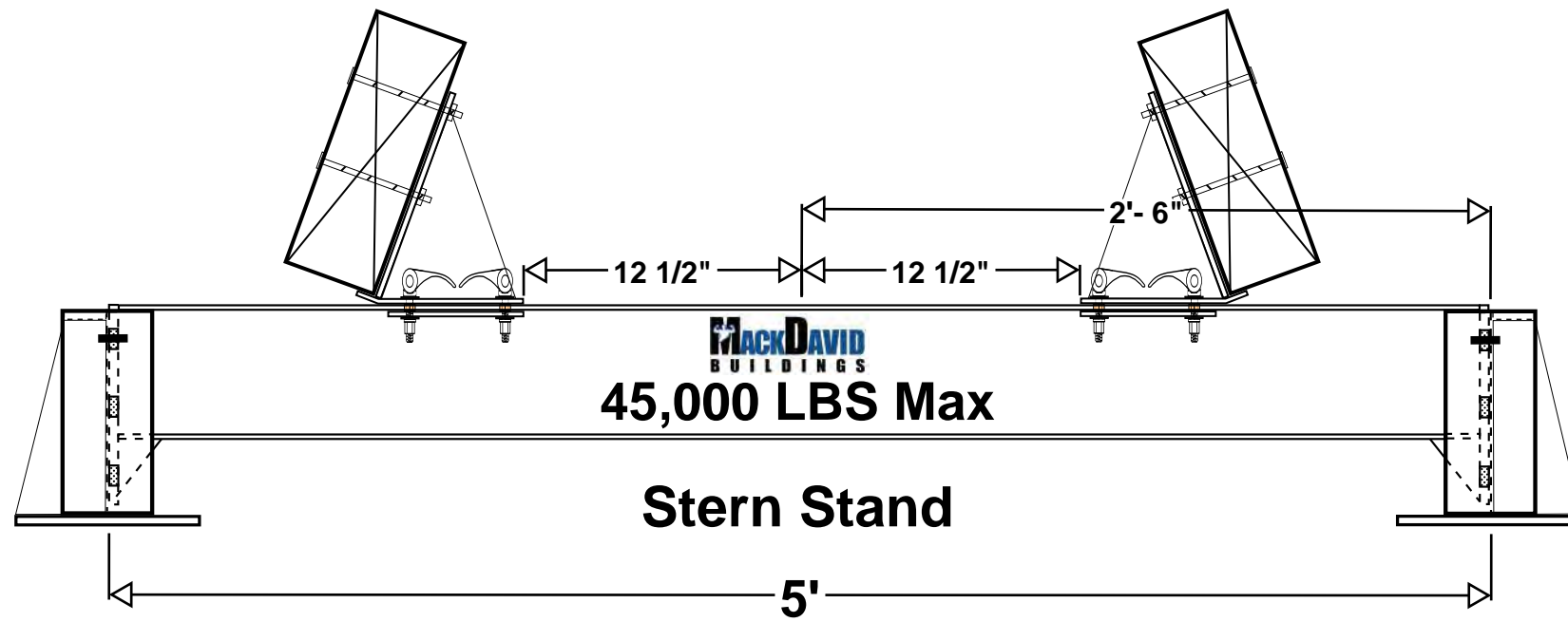
Scale: NOT TO SCALE  
 PAPER SIZE  
 ESTIMATOR DATE  
 8-25-21

JOB NAME  
**QR Bolt Placement**

PROCUREMENT FROM  
**MBMA**  
 QUALIFIED MANUFACTURERS

Builder: CONTACT: COUNTY: Customer: For Construction Permit For Erector Installation Preliminary For Approval

# MDB Suggested Standard Settings



**Note:** Recommended Boards are 4" x 12" Rough Cut #1 Pressure Treated for the 45K Load Capacity

**Disclaimer:** Mack David Buildings is not responsible for any damage or failure that may occur due to not using the recommended boards and spacing or any other deviation from proper usage or installation.

David W. Coyle  
704-361-7083 fax 941-227-4755  
Doyle@MackDavidBuildings.com  
6710 Professional Pkwy #637, Sarasota FL 34240  
*Your Pre-engineered Metal Building Specialist*

**MackDavid BUILDINGS**  
Builder:

CONTACT: COUNTY: Customer:  
Drawing Status:  Preliminary  For Construction Permit  For Erector Installation

Scale: NOT TO SCALE

PAPER SIZE

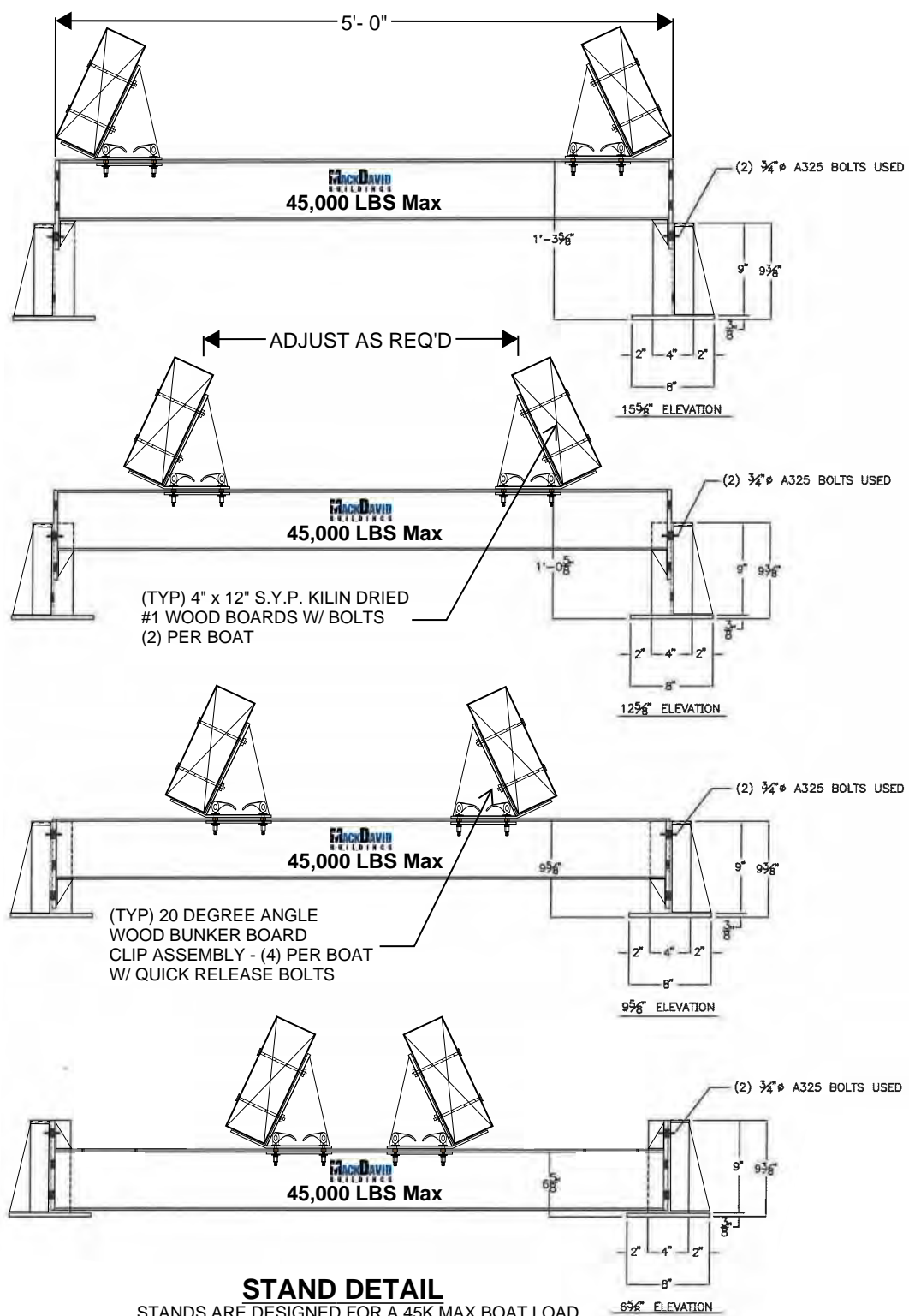
ESTIMATOR DATE 8-25-21

JOB NAME  
**MDB Grand Stand**

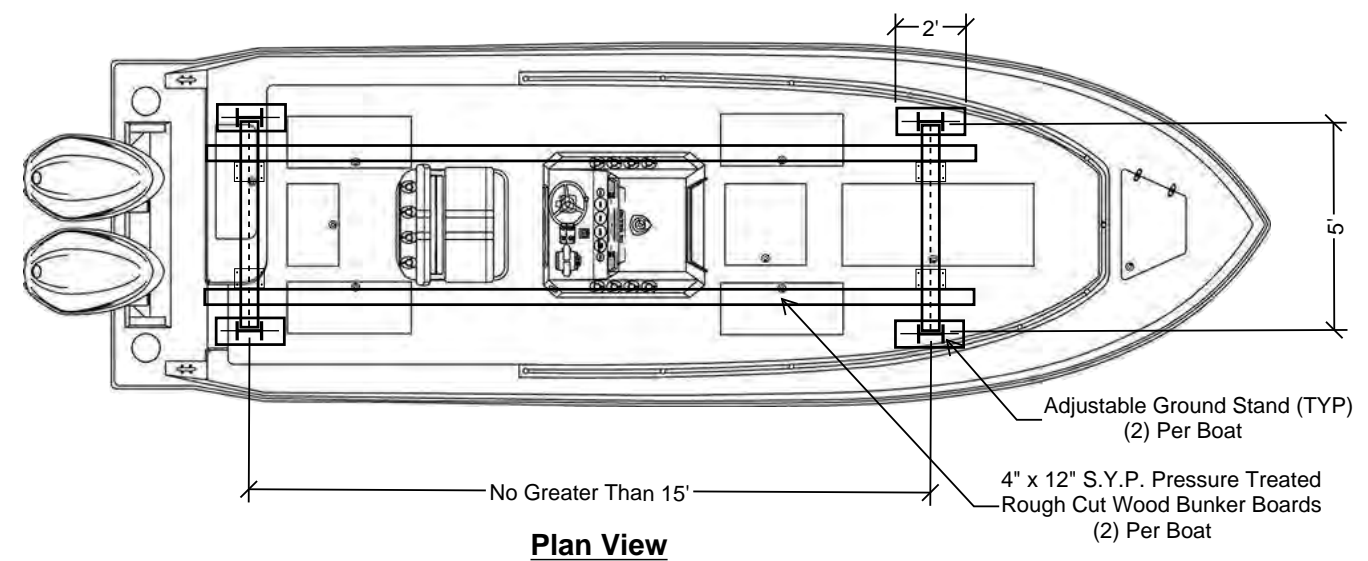
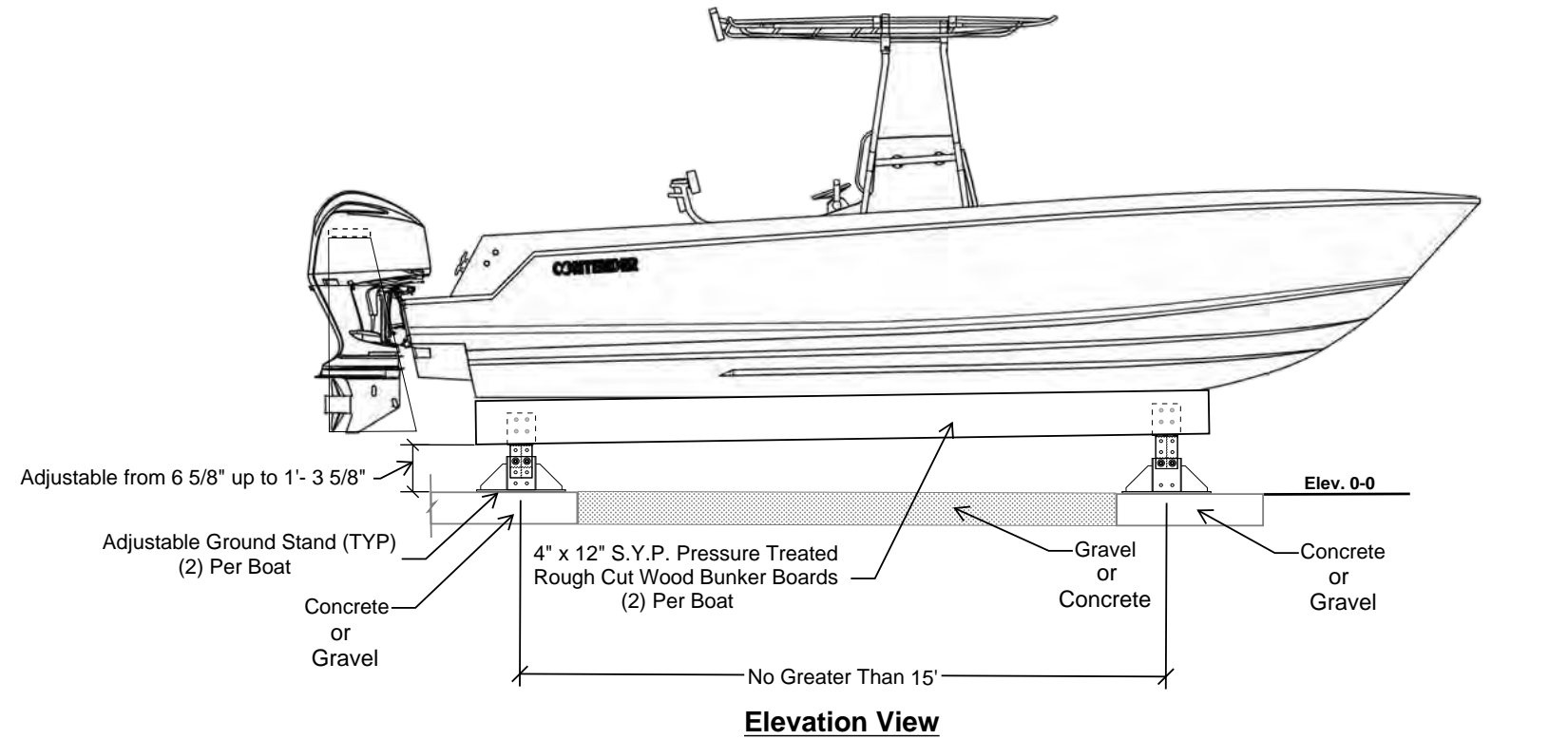
PROCUREMENT FROM  
**MBMA**  
QUALIFIED MANUFACTURERS

# Not For Construction

## Mack David Buildings Patent Pending Adjustable Ground Stands and Quick Release Bolts



**Disclaimer:** Mack David Buildings is not responsible for any damage or failure that may occur due to not using the recommended boards and spacing or any other deviation from proper usage or installation.



**Note:** Recommended Boards are 4" x 12" Rough Cut #1 Pressure Treated for the 45K Load Capacity  
**Note:** Ground Stands are Hot Dipped Galvanized Steel

David W. Coyle  
 704-361-7083 fax 941-227-4755  
 Doyle@MackDavidBuildings.com  
 6710 Professional Pkwy #627, Sarasota FL 34240  
 Your Pre-engineered Metal Building Specialist

**MackDavid BUILDINGS**  
 Builder:

Scale: NOT TO SCALE

PAPER SIZE

ESTIMATOR DATE  
 8-25-21

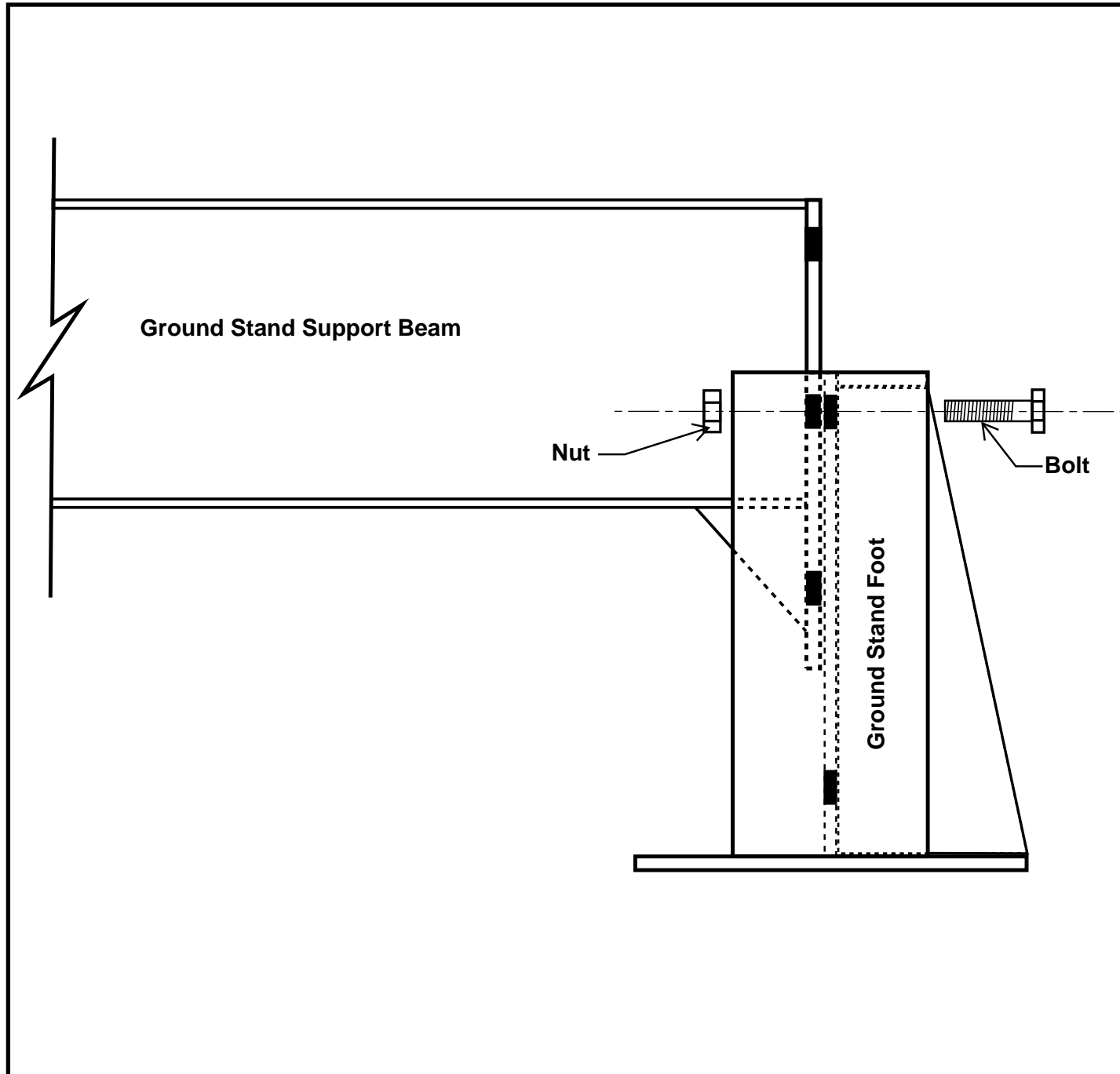
JOB NAME  
**MDB Grand Stand**

PROCUREMENT FROM  
**MBMA**  
 QUALIFIED MANUFACTURERS

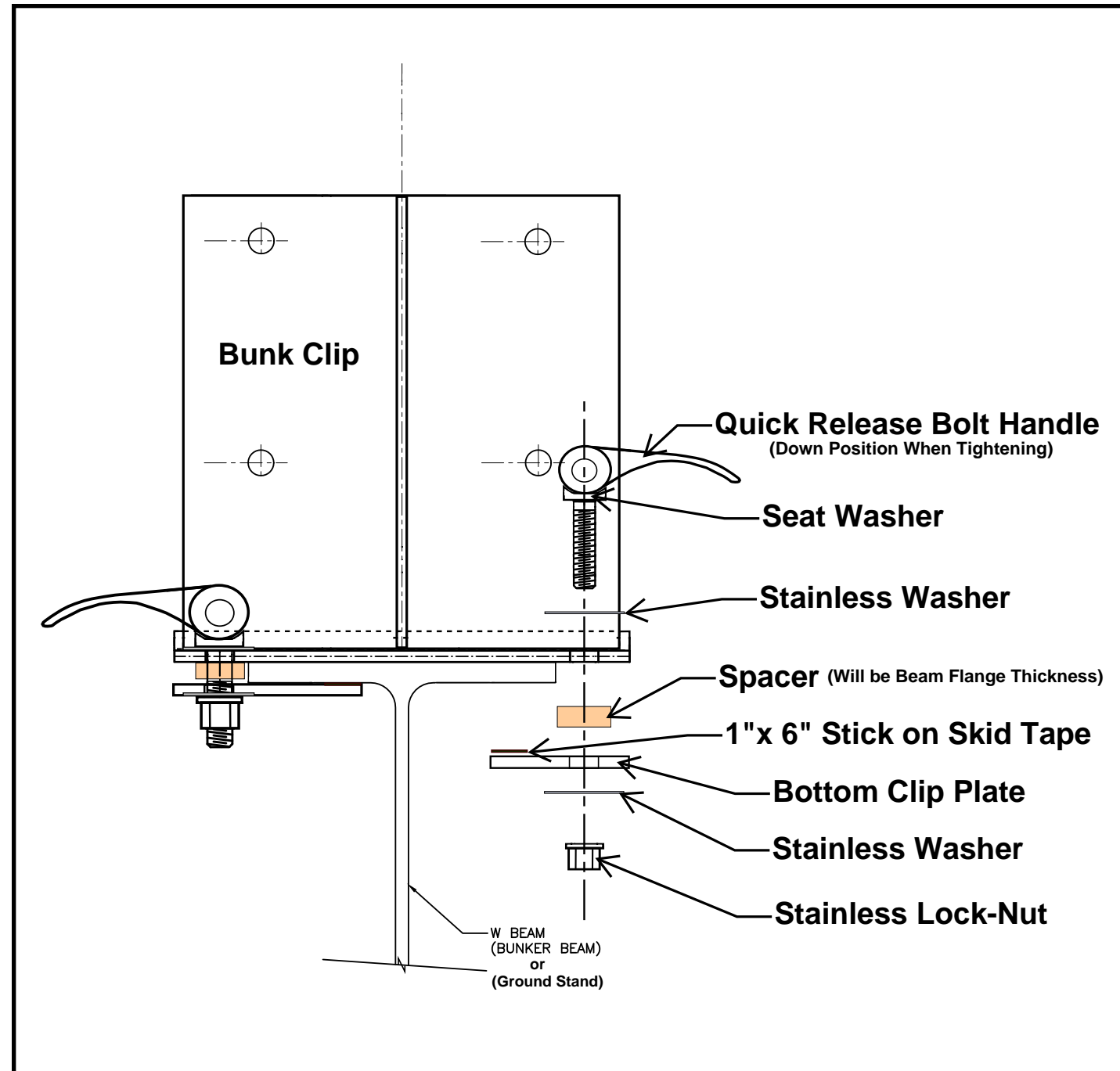
Customer:  For Construction Permit  For Erector Installation  
 Preliminary  For Approval

# Not For Construction

## Ground Stand Bolted Connection



## Bunk Clip Bolted Connection



David W. Coyle  
704-361-7083 fax 941-227-4755  
Doyle@MackDavidBuildings.com  
6710 Professional Pkwy #627, Sarasota FL 34240  
*Your Pre-engineered Metal Building Specialist*



Scale: NOT TO SCALE

PAPER SIZE

ESTIMATOR DATE

8-25-21

JOB NAME

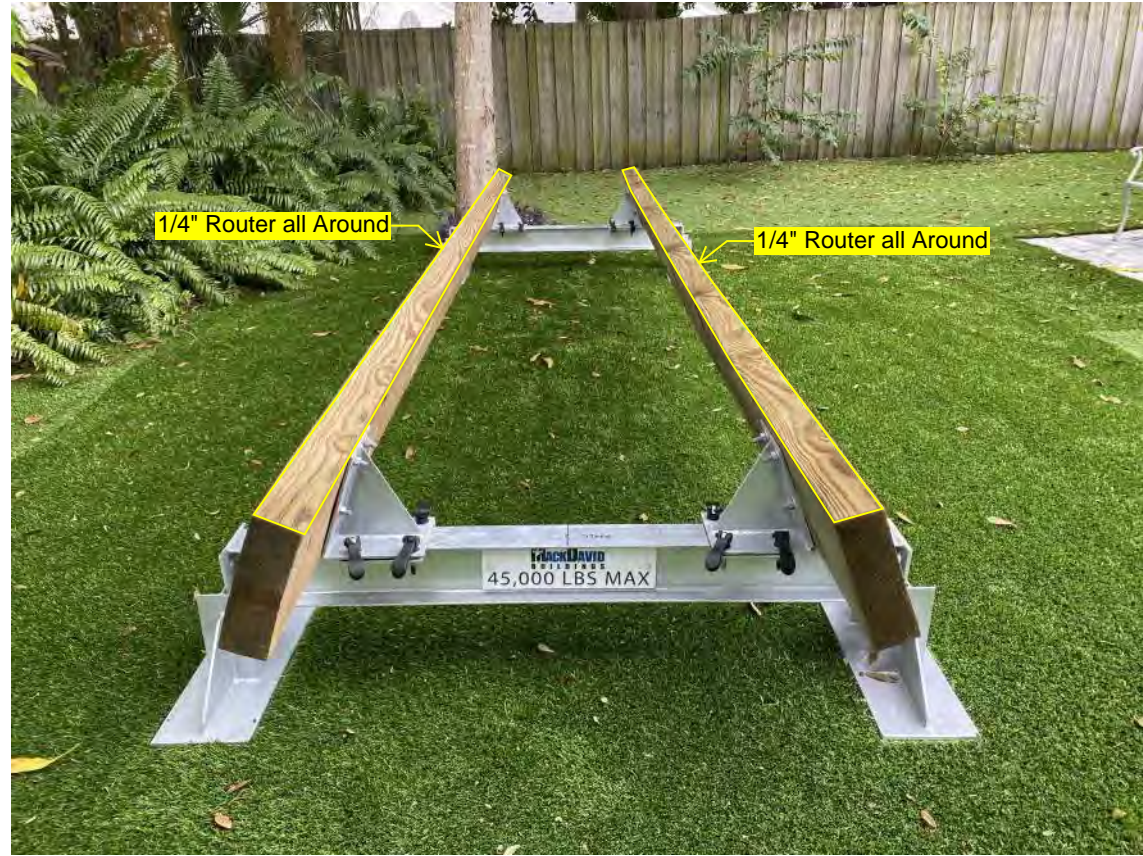
**MDB Grand Stand**

PROCUREMENT FROM  
**MBMA**  
QUALIFIED MANUFACTURERS

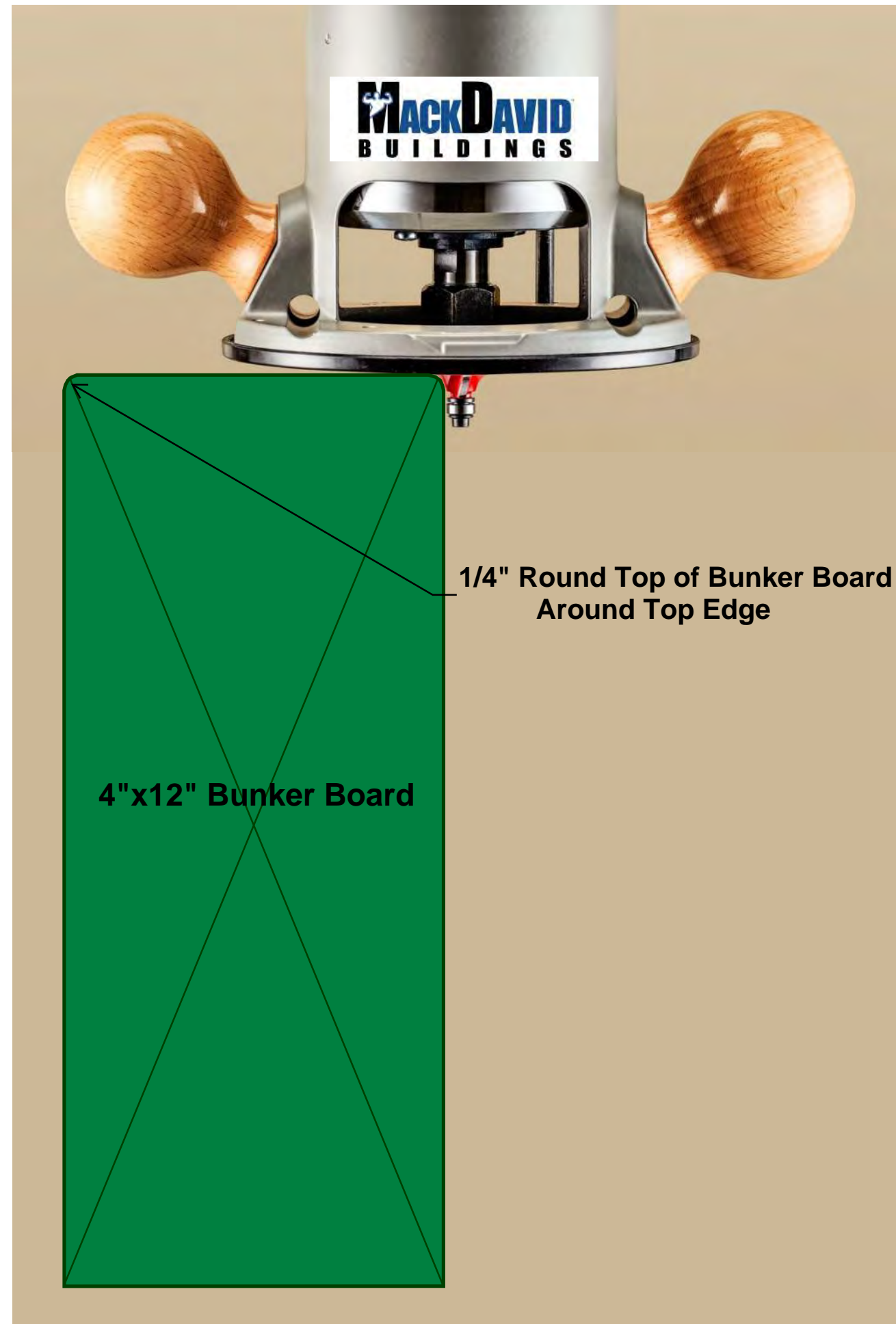
Builder: \_\_\_\_\_ CONTACT: \_\_\_\_\_ COUNTY: \_\_\_\_\_ Customer: \_\_\_\_\_

Drawing Status:  Preliminary  For Construction Permit  For Erector Installation

### Edges to Be Routed



### Fully Routed Edges



David W. Coyle  
704-361-7083 fax 941-227-4755  
Doyle@MackDavidBuildings.com  
6710 Professional Pkwy #627, Sarasota FL 34240  
*Your Pre-engineered Metal Building Specialist*

**MackDavid BUILDINGS**  
Builder: CONTACT: COUNTY:

Customer:  For Construction Permit  For Erector Installation  
Drawing Status:  Preliminary  For Approval

Scale: NOT TO SCALE  
ESTIMATOR DATE 8-25-21  
JOB NAME

**MDB Grand Stand**

PROCUREMENT FROM  
**MBMA**  
METAL BUILDING MANUFACTURERS ASSOCIATION  
QUALIFIED MANUFACTURERS